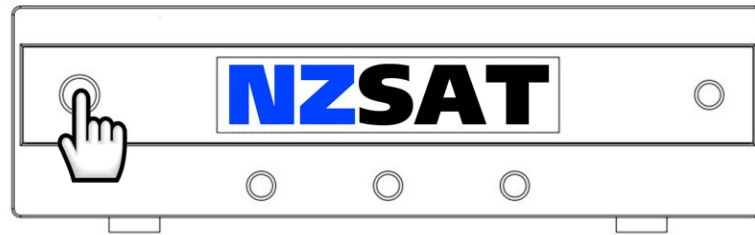


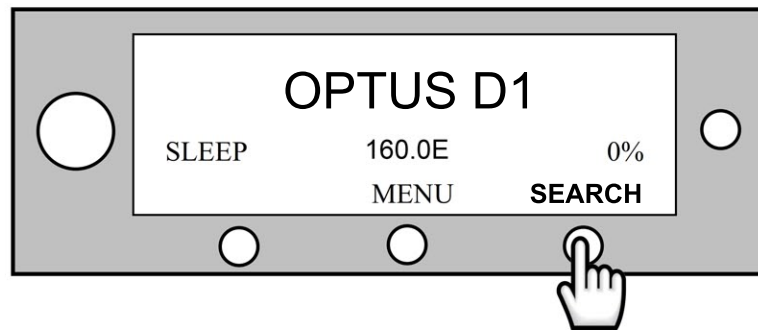
Operating your **NZSAT** AUTOMATIC

1. Turn ON system.



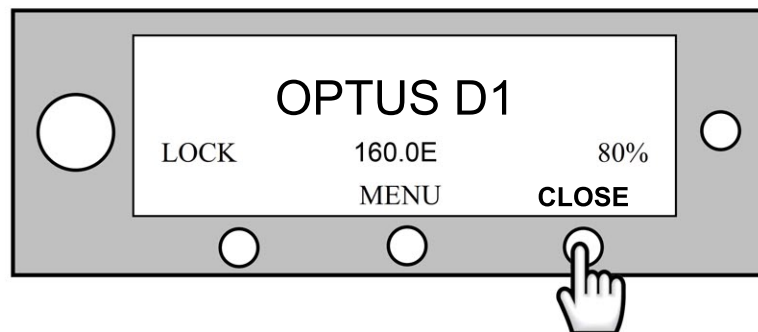
- Press the Large Power button
The Dish will Close to shut down position and enter into Sleep Mode.

2. Start Satellite Search



- Press **SEARCH / DEPLOY** to start Searching.
The Dish will begin to Search for the target Satellite.
(This can take upto approx 5min in some cases)

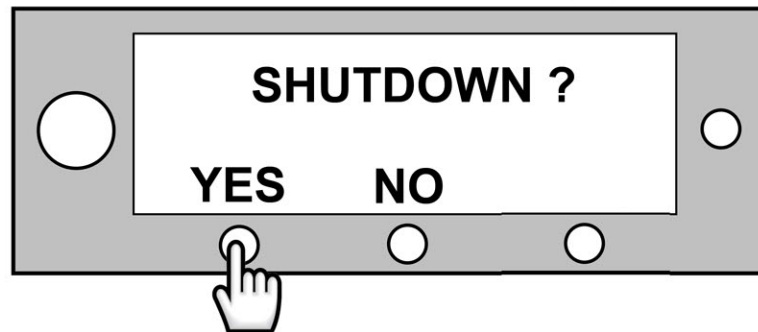
3. CLOSE / STOW the dish



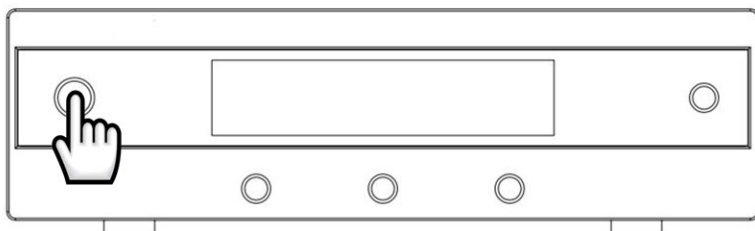
- To Close the dish before driving the vehicle:
- Press **CLOSE / STOW**
- Now press **YES** to Shutdown, wait for the dish to shut down then move onto Step 4.

If you have connected the Yellow Ignition+ wire, the system will automatically shut down on vehicle startup.

Warning: PLEASE ensure the dish has Closed DOWN before driving.



4. Power Off System



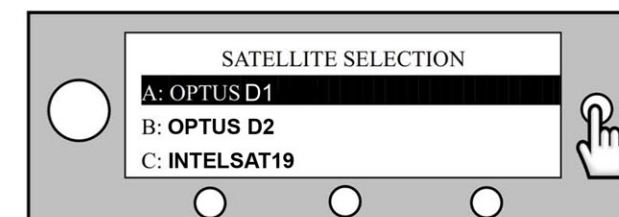
- To Power Off the System:
- Press the large Power button.

Warning: PLEASE ensure the dish has Closed DOWN before driving.



OPTIONAL

5. Satellite Selection (Additional programming required)

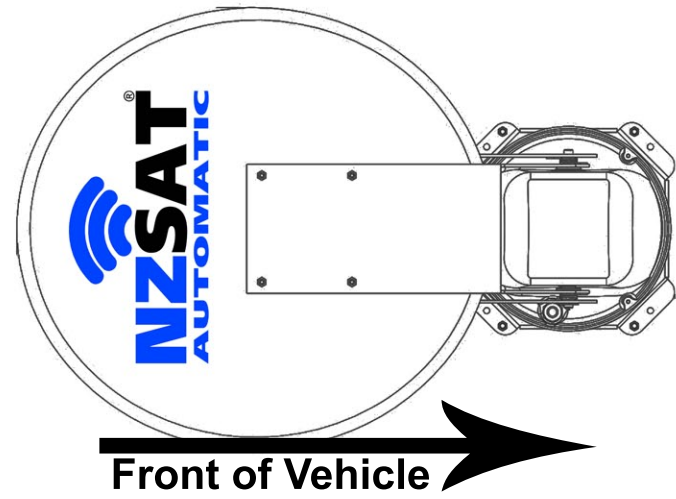


- Pressing the Function key will select the desired Satellite.

- After 3 seconds the dish will then Search for the selected Satellite.

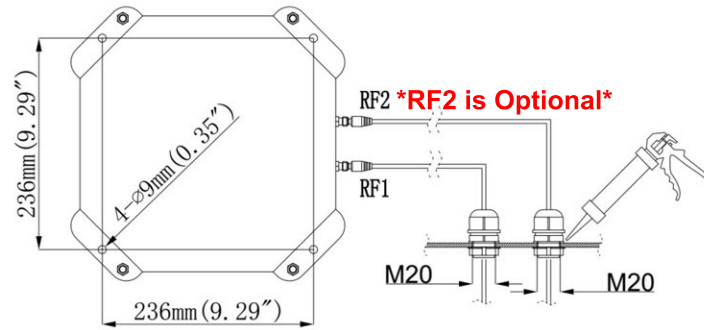
Installation

1. Select a location for the ODU (Outdoor Unit)



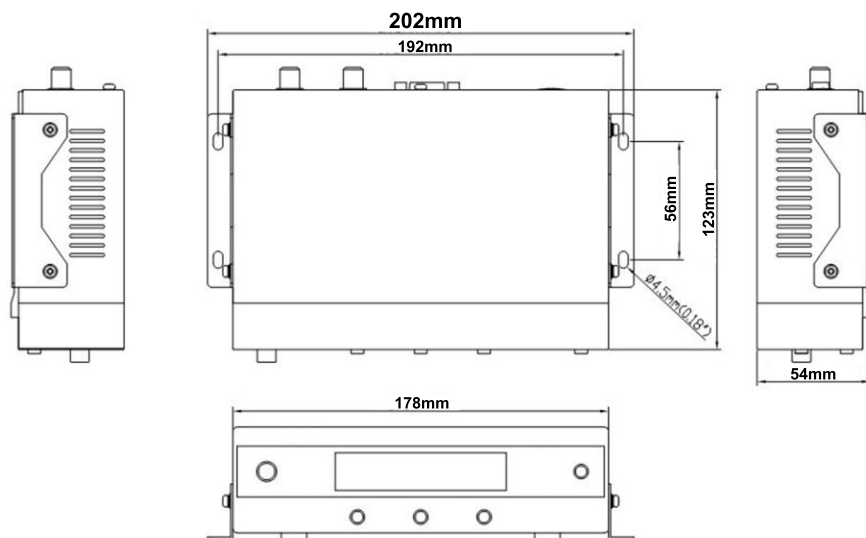
- Pick an area on the roof of your mobile home that will allow the ODU to be mounted as flat and level and strong as possible. With good support that will permit the dish, once fitted and raised, to have a full 360 degree rotation and elevation range.
- Mind the direction of Travel

2. Mount the ODU



- Drill the mounting holes and cable access hole to prepare the site for installation.
- Ensure that all screw fixings are covered with sealant to ensure that there are no leaks into the RV.

3. Mount the IDU (Indoor Unit)

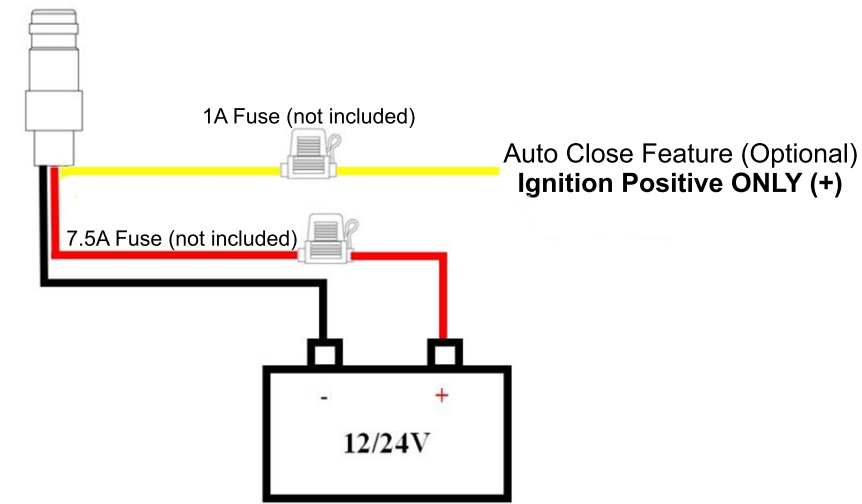


- Dry place is required for IDU to be mounted
- Drill the mounting holes prepare the site for installation.

Red: Positive + 9-30vDC (7.5A Fuse Required)
Black: Ground/Negative of Battery (-)

Optional Auto Close Feature:
Yellow: Ignition Positive (+) ONLY (1A Fuse Required)

4. Power cable



5. Wiring Diagram

