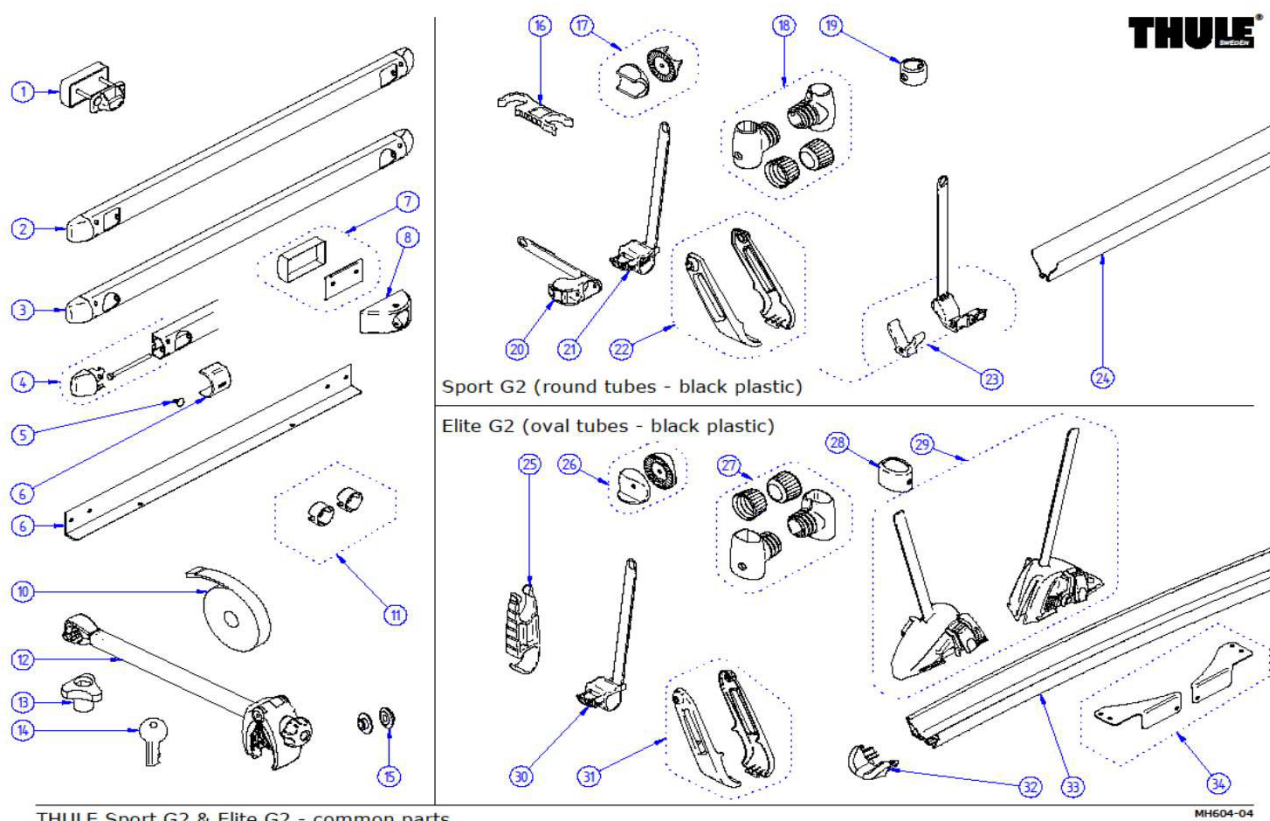


2015 SPARE PARTS LIST

Sport G2 & Elite G2 - common parts

THULE
SWEDEN

MH604-04



	ART.NR.	DESCRIPTION	RVS Part No
1	1500602383	G2 UPPER FIXATION KIT (2x)	RVZ 2294
2	309828	G2 TOP MOUNTING RAIL	RVP 557
3	306946	BOTTOM MOUNTING RAIL	RVZ 2290
3	308954	BOTTOM MOUNTING RAIL BLIND	
4	1500600549	SPORT/ELITE CAP MOUNTING PROFILE + BOLT (2x)	RVZ 0288
5	1500602750	MOUNTING RAIL SCREW NAIL (x100)	
6	307328	COVER MOUNTING RAIL (2pcs)	RVZ 6865
7	1500602360	LOWER FIXATION KIT INSIDE (2x)	RVZ 2291
8	1500602384	FOOT + FOOT COVER (2x)	
9	1500601518	ANGLE SUPPORT RAIL DUCATO	
10	1500602387	SAFETY STRAP 2,00M BLACK	
11	1500602751	ANTI RATTLING BOTTOM MOUNTING RAIL (2x)	
12	306463	G2 BIKE ARM #1 WITH LOCK (12cm)	RVZ 2277
12	306464	G2 BIKE ARM #2 WITH LOCK (26cm)	RVZ 2278
12	307367	G2 BIKE ARM #2.5 WITH LOCK (30cm)	
12	306465	G2 BIKE ARM #3 WITH LOCK (41cm)	RVZ 2279
12	306466	G2 BIKE ARM #4 WITH LOCK (15cm, double clamp)	RVZ 2280
13	1500602386	KNOB WITH NUT BLACK H18mm (2x)	RVZ 2263
13	1500602020	KNOB WITH NUT BLACK H28mm	
14	1500002XXX	SPARE KEY FOR BIKE ARM LOCK (XXX = KEY NR.)	
15	1500602898	GLIDING BEARINGS FOR HINGES (100 PCS)	
16	1500602385	G2 PLATFORM HOLDER 30/34	RVZ 2295
16	1500602622	G2 PLATFORM HOLDER 34/34	
17	1500602623	G2 SERRATED PIECE round (2x)	RVZ 2271
18	1500602624	G2 SPORT T-PIECE (2x)	RVZ 2272
19	1500602625	G2 CONNECTION PIECE DIA. 34/30 (2x)	
20	1500602626	PLATFORM LOCK VERTICAL (2x)	RVZ 2286
21	1500602627	PLATFORM LOCK (1L+1R)	RVZ 2262
22	1500602620	SPORT G2 HINGE COVERS BLACK 20° (1L+1R)	RVZ 2288
22	1500602628	SPORT G2 HINGE COVERS BLACK 40° (1L+1R)	RVZ 2330
23	1500602629	SPORT G2 ENDCAP + WHEEL STRAPS FOR V-RAIL (2x)	RVZ 2261
24	1500602388	V-RAIL PROFILE	RVZ 2285

2015 SPARE PARTS LIST



Sport G2 & Elite G2 - common parts

MH604-04

25	1500602400	PLATFORM HOLDER (2x)	RVZ 2264
26	1500602630	G2 SERRATED PIECES oval (1+1)	RVZ 2274
27	1500602631	G2 OVAL T-PIECES (1L+1R)	RVZ 2275
28	1500602632	G2 CONNECTION PIECE OVAL 42/48 (2x)	RVZ 2273
29	1500602403	WHEEL HOLDER W PUMP BUCKLE (2x)	RVZ 2265
30	1500602633	PLATFORM LOCK OVAL (1L+1R)	RVZ 2296
31	1500602634	ELITE G2 HINGE COVERS BLACK (1L+1R)	RVZ 2289
32	1500602402	G2 ENDCAP RAIL (2x)	RVZ 2266
33	1500602401	G2 RAIL PROFILE	RVZ 2298
34	1500602697	PLATFORM CORNER CONNECTION	RVZ 2297